



C&R Interiors Pte Ltd

Export Sales:
export@cnrinteriors.com.sg

Local Sales:
admins@cnrinteriors.com.sg

www.cnrinteriors.com.sg

Head Quarter
57/59 Defu Lane 9
Singapore 539295
tel +65 6488 0577
fax +65 6488 0588

Showroom
79 Anson Road #01-02
Singapore 079906
tel +65 6372 0428
fax +65 6224 4288



— A3



UKRS is a member of Registrar of Standards (Holdings) Ltd.



A3



**HORIZONTAL
STACKING**



**FLIP-UP WRITING
TABLET**



**WITHOUT FLIP-UP
WRITING TABLET**



CONTOUR ARMREST



WITH ARMREST



WITHOUT ARTMREST



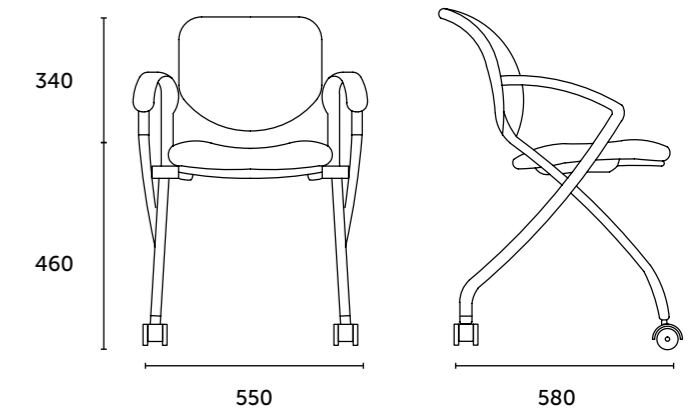
WITH CASTORS



WITH GLIDES

elegant & ergonomic design

A prevailing style with elegant design features innovative technologies with active ergonomic comfort. Multi function ergonomics concept provides extensive range of adaptability in providing abundance of support and relief to uplift the human spirit.



A3ACW



A3AG



A3AC